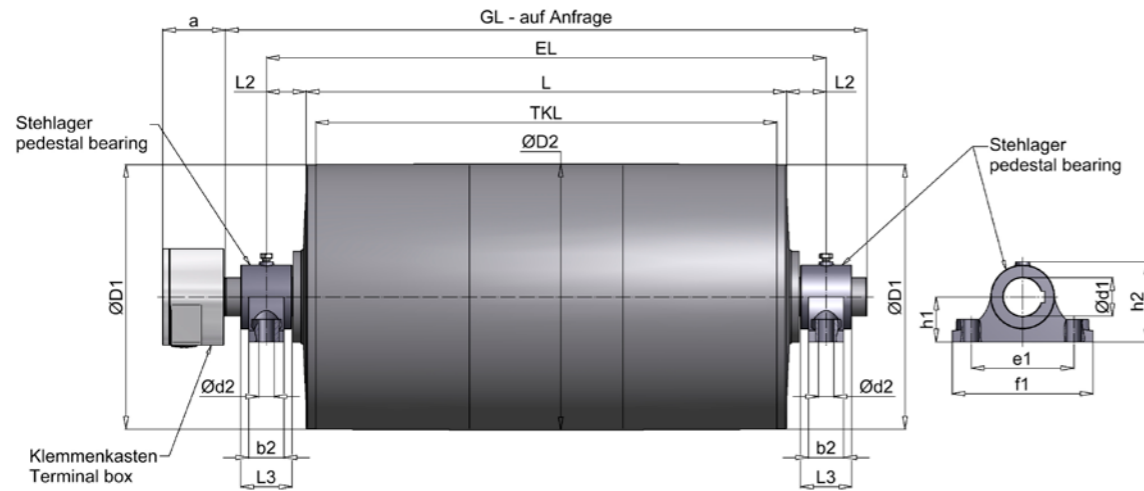


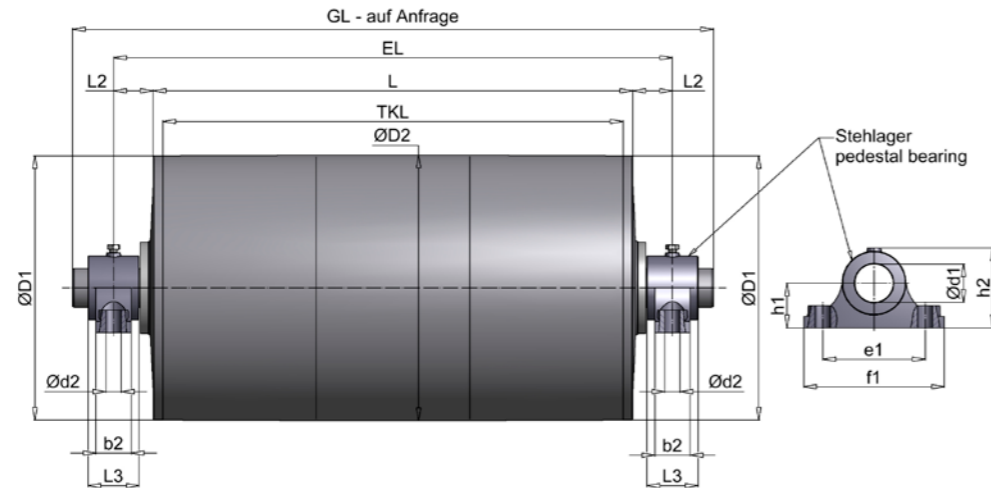
MODEL SERIES TM165-TM620 WITH PEDESTAL BEARING

MODEL SERIES TM165-TM620SL

Drum motor TM165-TM620, pedestal bearing



Deflection drum UT165-UT620, pedestal bearing



Standard widths of HIMMEL® drums can be found
for versions with clamping bearing.

MODEL SERIES TM165-TM620SL

Selection tables HIMMEL® drum motor with pedestal bearing TM165SL-TM620SL

HIMMEL® drum motor														IP65	IP66/67
Size	Type	Ø D1	Ø d2	a	b2	Ø d1	Ø d2	e1	f1	h1	h2	L2	L3	EL	EL
165	TM165.1	165	164	95	45	40	15	120	160	50	95	38,5	60	L + 77	L + 104
HIMMEL® deflection drum															
165	TM165.1	165	164	-	45	40	15	120	160	50	95	38,5	60	L + 77	L + 104

HIMMEL® drum motor															
Size	Type	Ø D1	Ø d2	a	b2	Ø d1	Ø d2	e1	f1	h1	h2	L2	L3	EL	EL
216	TM216.0	216	213,5	95	45	35	15	120	160	50	95	45	60	L + 90	L + 122
216	TM216.1	216	213,5	95	45	40	15	120	160	50	95	50	60	L + 100	L + 134
HIMMEL® deflection drum															
216	TM216.0	216	213,5	95	45	35	15	120	160	50	95	45	60	L + 90	L + 122
216	TM216.1	216	213,5	95	45	40	15	120	160	50	95	50	60	L + 100	L + 134

HIMMEL® drum motor															
Size	Type	Ø D1	Ø d2	a	b2	Ø d1	Ø d2	e1	f1	h1	h2	L2	L3	EL	EL
321	TM321.0	321	317,5	95	45	40	15	120	160	50	95	50	60	L + 100	L + 150
321	TM321.1	321	317,5	95	50	45	19	140	190	60	110	57	70	L + 114	L + 156
HIMMEL® deflection drum															
321	TM321.0	321	317,5	-	45	40	15	120	160	50	95	50	60	L + 100	L + 150
321	TM321.1	321	317,5	-	50	45	19	140	190	60	110	57	70	L + 114	L + 156

HIMMEL® drum motor															
Size	Type	Ø D1	Ø d2	a	b2	Ø d1	Ø d2	e1	f1	h1	h2	L2	L3	EL	EL
415	TM415.0	415	413	100	50	45	19	140	190	60	110	57	70	L + 114	L + 156
415	TM415.1	415	413	100	55	60	24	160	220	70	125	62	80	L + 124	L + 194
HIMMEL® deflection drum															
415	TM415.0	415	413	-	50	45	19	140	190	60	110	57	70	L + 114	L + 156
415	TM415.1	415	413	-	55	60	24	160	220	70	125	62	80	L + 124	L + 194

HIMMEL® drum motor															
Size	Type	Ø D1	Ø d2	a	b2	Ø d1	Ø d2	e1	f1	h1	h2	L2	L3	EL	EL
518	TM518.0	518	513	100	55	60	24	160	220	70	125	62	80	L + 124	L + 194
518	TM518.1	518	513	100	70	75	28	210	270	90	165	80	100	L + 160	L + 220
HIMMEL® deflection drum															
518	TM518.0	518	513	-	55	60	24	160	220	70	125	62	80	L + 124	L + 194
518	TM518.1	518	513	-	70	75	28	210	270	90	165	80	100	L + 160	L + 220

HIMMEL® drum motor															
Size	Type	Ø D1	Ø d2	a	b2	Ø d1	Ø d2	e1	f1	h1	h2	L2	L3	EL	EL
620	TM620.0	620	618	100	70	75	28	210	270	90	165	80	100	L + 160	L + 220
HIMMEL® deflection drum															
620	TM620.0	620	618	-	70	75	28	210	270	90	165	80	100	L + 160	L + 220